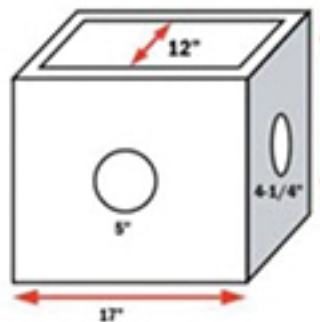
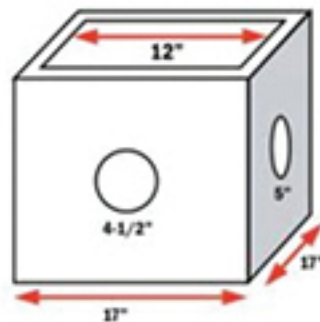


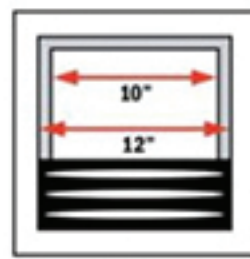
## 12" CONCRETE DRAIN BOX



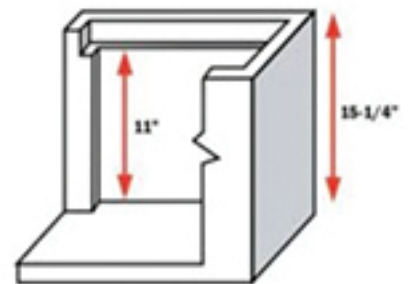
**SIDES 1 & 2**



**SIDES 3 & 4**

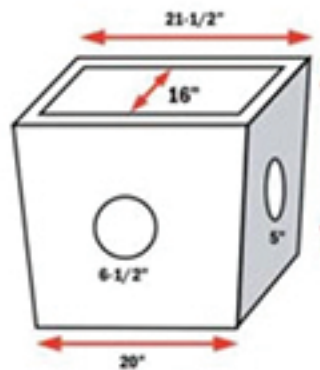


**TOP VIEW**

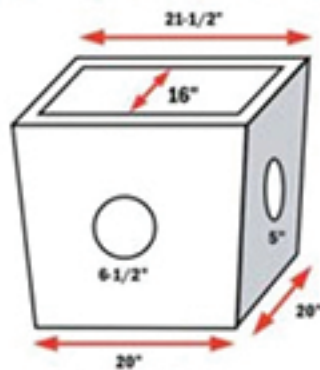


**INTERNAL VIEW**

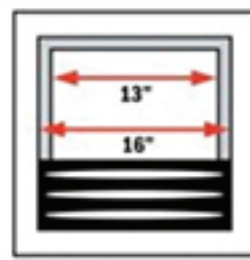
## 16" CONCRETE DRAIN BOX



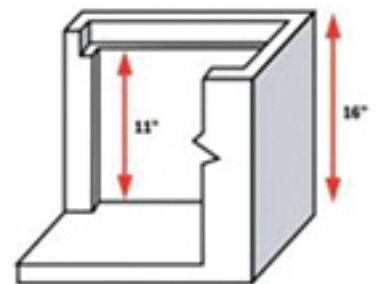
**SIDES 1 & 2**



**SIDES 3 & 4**

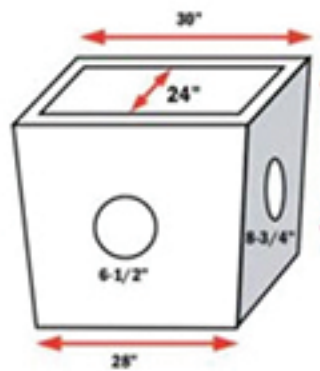


**TOP VIEW**

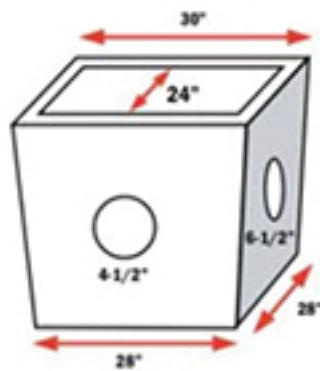


**INTERNAL VIEW**

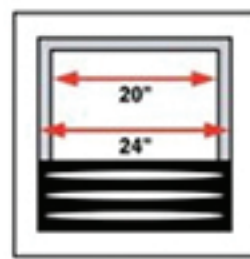
## 24" CONCRETE DRAIN BOX



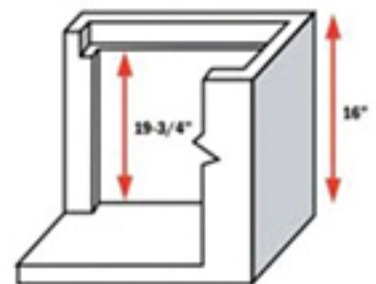
**SIDES 1 & 2**



**SIDES 3 & 4**



**TOP VIEW**



**INTERNAL VIEW**



**STEP ONE:**  
Use a hammer to gently knock out the outlets you plan to use.



**STEP TWO:**  
Fit drain pipe into the outlet.



**STEP THREE:**  
Use a grout or mortar to cement the drain pipe in place.



**STEP FOUR:**  
Place the drain grate on top.